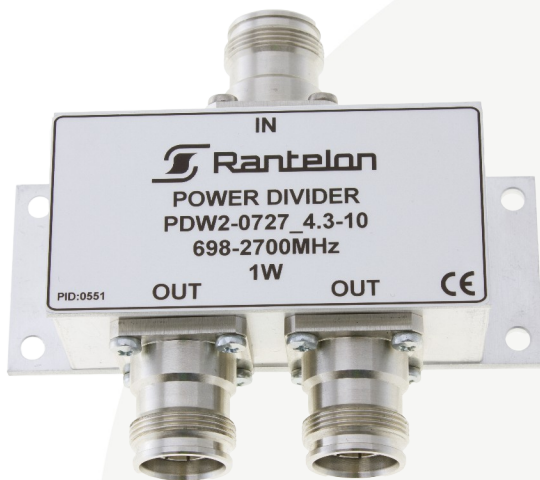


Power Divider PDW2-0727_4.3-10

1W 0.7-2.7GHz



KEY FEATURES

- VERY WIDEBAND
- HIGH ISOLATION
- LOW INSERTION LOSS
- COMPACT AND RELIABLE DESIGN



APPLICATION AREAS

- LOW POWER INDOOR REPEATER
- LTE800, LTE1800 AND LTE2600
- UMTS2100
- EGSM900
- DCS1800
- WLAN2400

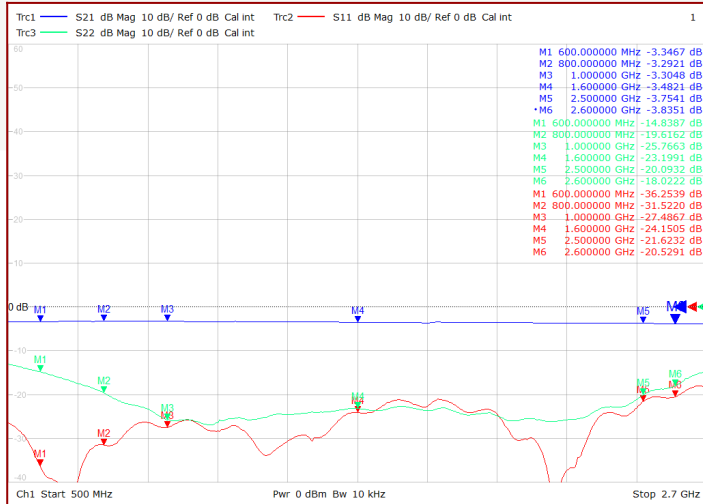
ORDERING INFORMATION

MODEL	DESCRIPTION
PDW2-0727_4.3-10	Divider with default RF connectors 4.3-10 (female) 50Ω
PDW2-0727-50N	Divider with RF connectors N-female 50Ω https://rantelon.ee/en/product/pdw2-0727/
PDW2-0727-XXX	Other PDW2-0727 options are available on special order

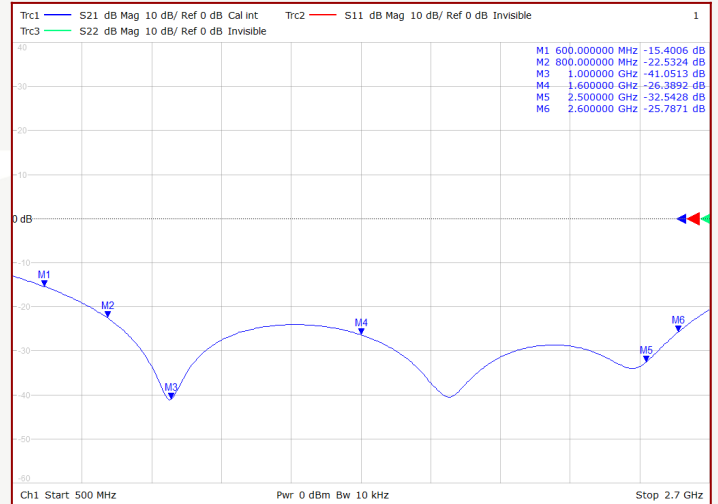
TECHNICAL SPECIFICATIONS

PARAMETER	SPECIFICATION
Frequency range	698-2700 MHz
Type	2-way
Insertion loss above 3dB:	@900MHz 0.3dB @1800MHz 0.5dB @2600MHz 0.8dB
Amplitude balance	0.2dB
VSWR	1.2:1 typical
Isolation:	@900MHz 25dB @1800MHz 20dB @2600MHz 22dB
Input power	1W max.
Impedance	50Ω
Connectors	4.3-10 Connector by default <i>Ask Rantelon for other types!</i>
Enclosure type and dimensions	Aluminium housing, solid, indoor; 40x80x35mm

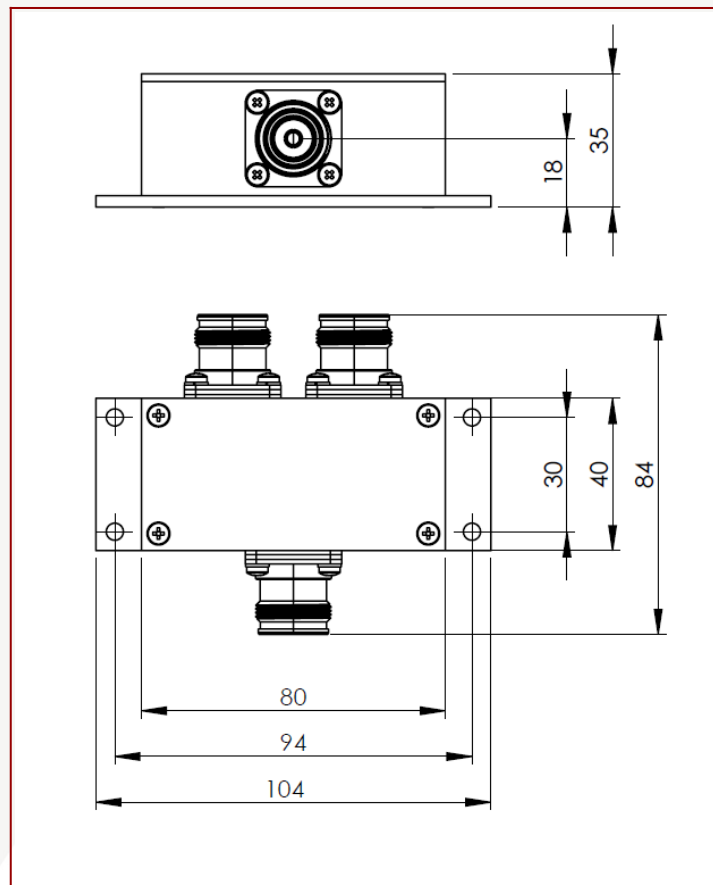
PDW2-0727 Transfer function and input matching



PDW2-0727 Isolation



MECHANICAL SPECIFICATIONS



Rantelon reserves the right to change the specification without notice.