

Product Information: Rev 1B, Issue Jan 2012, Revised Jul 2012

PA0827V-2X is outdoor/indoor type directional panel antenna. PA0827V-2X has -45°/+45° polarization in frequency range 1700-2700MHz and vertical polarization in frequency range 790-960MHz.

KEY FEATURES

- Very wideband
- High gain
- Compact and reliable
- Outdoor type enclosure
- Commonly used 50Ω impedance
- Mast or wall mounting



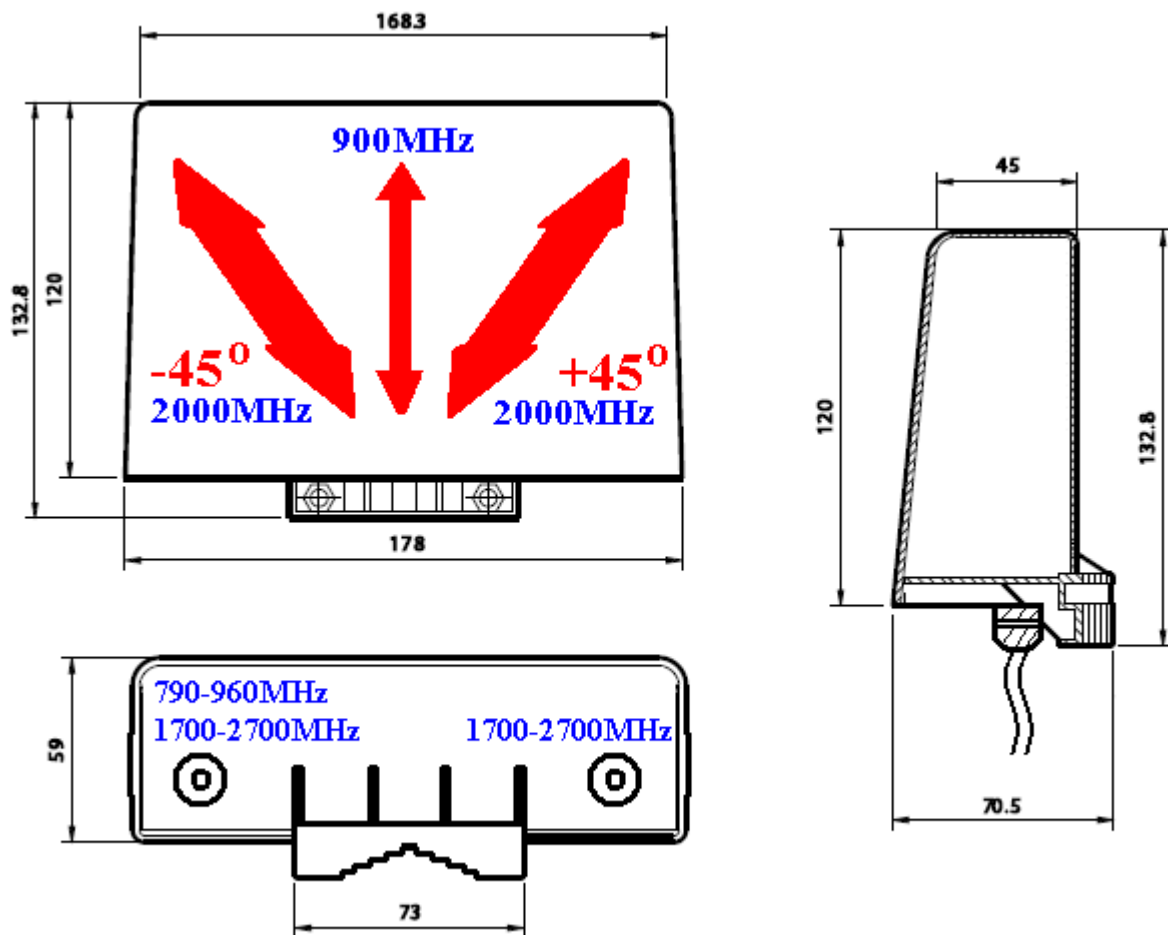
APPLICATION AREAS

- EGSM900
- LTE800 and LTE2700
- UMTS2100
- DCS1800



TECHNICAL SPECIFICATIONS

Parameter	Specification
Type	Outdoor directional panel antenna with built-in frequency combiner
Frequency range	790-960MHz ja 1700-2700 MHz
Gain:	@900MHz @2100MHz 1 antenna x 6 dBi 2 antennas x 6 dBi
Beam width (3dB, H-plane)	90°/70°
VSWR:	@900MHz @2100MHz 2.0:1 typical 1.7:1 typical
Polarization:	@900MHz @2100MHz vertical -45°/+45° (See figure below)
Input and Impedance	2 inputs x 50Ω (See ordering information below)
Enclosure type	Outdoor, wall or mast mounting (mast mounting clamps included; mast pipe diameter: max 50mm)
Dimensions	See figure below
Color/Weight	Grey/400g min. (depends on length of cables)



ORDERING INFORMATION *

Model	Description
PA0827V-2X-50N	Antenna with length of cables 0.5m and RF connectors 50Ω N-type female
PA0827V-2X-50FME-7m	Antenna with length of cables 7.0m and RF connectors 50Ω FME female
PA0827V-2X-50SMA	Antenna with length of cables 0.5m and RF connectors 50Ω SMA male
PA0827V-2X-50SMA-5m	Antenna with length of cables 5.0m and RF connectors 50Ω SMA male
PA0827V-2X-XX-XX	Other PA0827V-2X options are available on special order

* Ask Rantelon for other parameters.

Rantelon reserves the right to change the specification without notice.