

Product Information: Rev 1A, Issue July 2020

**PA0810 is outdoor type directional panel antenna. PA0810 has linear polarization in frequency ranges 830-1000 MHz.**

## KEY FEATURES

- High gain 9 dBi
- Linear polarization
- Nice look
- Reliable outdoor type enclosure
- Commonly used 50Ω impedance
- Mast or wall mounting

## APPLICATION AREAS

- RFID

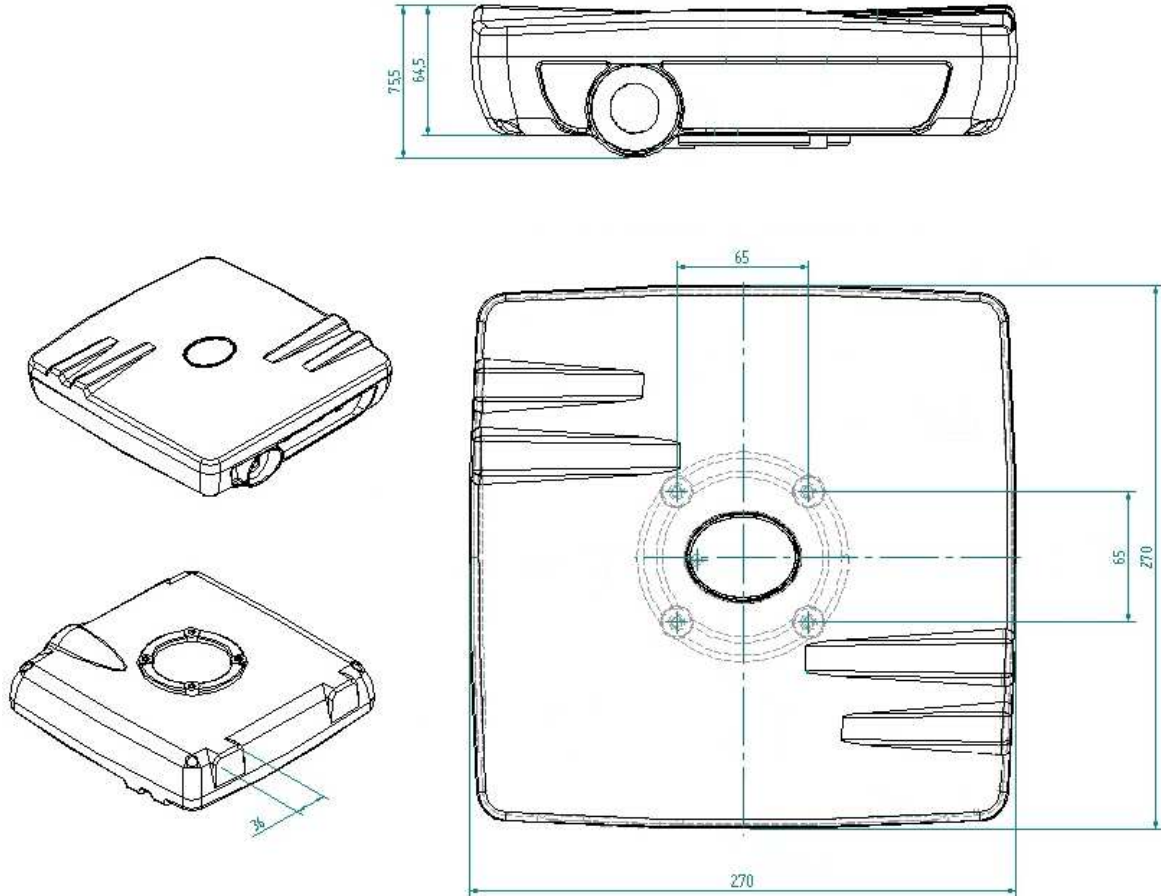


## TECHNICAL SPECIFICATIONS

Parameter	Specification
Type	Outdoor directional panel antenna <b>with linear polarization</b>
Frequency range	830 – 1000 MHz
Gain:	9 dBi
Beam width @3dB - Azimuth:	70°/70°
VSWR	1.5:1 typical
Polarization	vertical (if connector side looks down)
Front to Back Ratio	20 dB
Maximum Input Power	40 dBm
Input Impedance	50Ω
Enclosure type	Outdoor; wall or mast mounting ; mast pipe diameter: max 50mm
Dimensions	See figure below
Color/Weight	Light grey/1.2kg
Environmental Rating	IP 67

**NB! Mounting instruction: connector side looks down.**

All dimensions are in [mm].



## ORDERING INFORMATION \*

Model	Description
PA0810-50N	Antenna with RF connector 50Ω N female

\* Ask Rantelon for other parameters.

Rantelon reserves the right to change the specification without notice.