

Product Information: Rev 1A, Issue June 2018

**PA0865.8 is outdoor type directional panel antenna. PA0865.8 has circular polarization in frequency ranges 865-868 MHz.**

## KEY FEATURES

- High gain 8,5 dBic
- Circular polarization
- Nice look
- Reliable outdoor type enclosure
- Commonly used 50Ω impedance
- Mast or wall mounting

## APPLICATION AREAS

- RFID

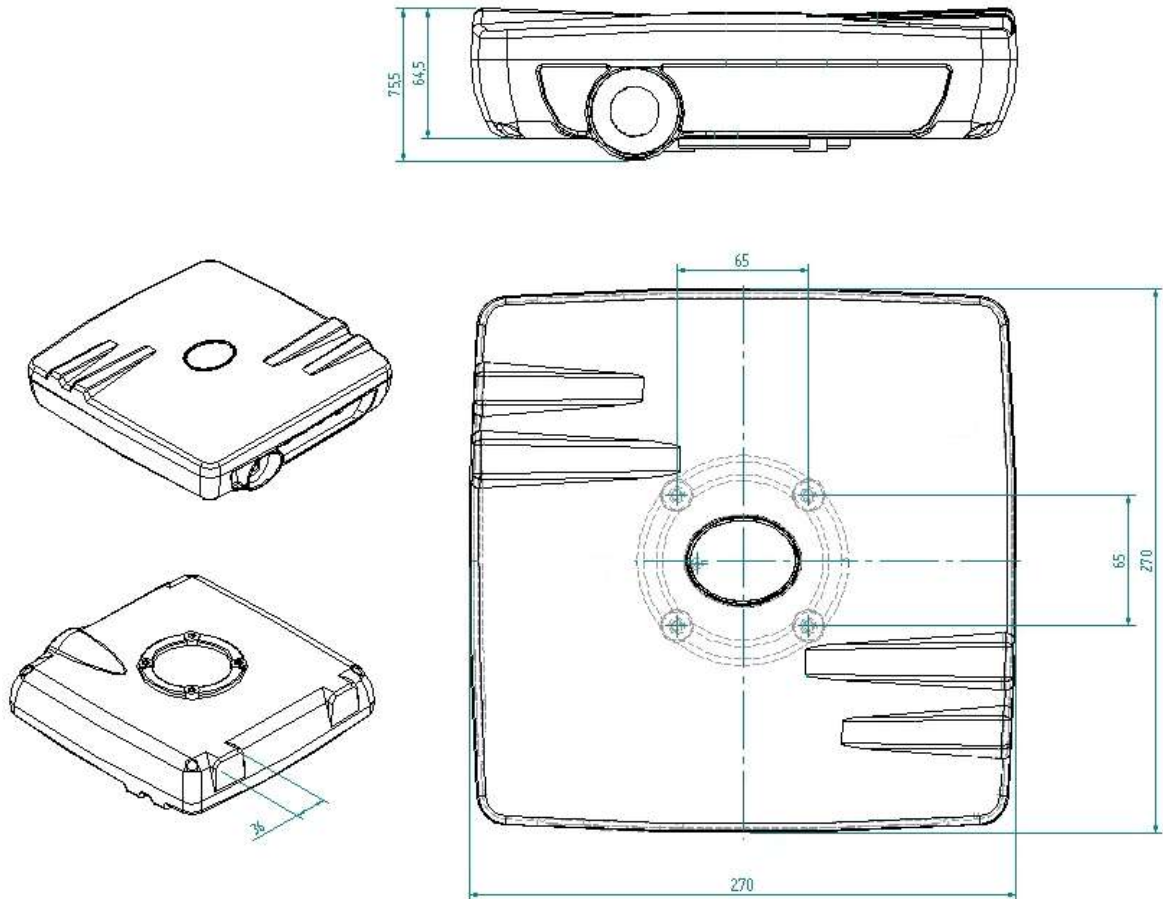


## TECHNICAL SPECIFICATIONS

Parameter	Specification
Type	Outdoor directional panel antenna <b>with circular polarization</b>
Frequency range	865-868MHz
Gain:	8,5 dBic
Beam width @3dB - Azimuth:	70°/70°
VSWR	1.3:1 typical
Polarization	Circular Right-hand
Front to Back Ratio	20 dB
Maximum Input Power	33 dBm
Input Impedance	50Ω
Axial Ratio	2 dB
Enclosure type	Outdoor; wall or mast mounting ; mast pipe diameter: max 50mm
Dimensions	See figure below
Color/Weight	Light grey/1.2kg
Environmental Rating	IP 67

**NB! Mounting instruction: connector side looks down.**

All dimensions are in [mm].



## ORDERING INFORMATION \*

Model	Description
PA0865.8-RPTNC	Antenna with RF connector 50Ω RPTNC male

\* Ask Rantelon for other parameters.

Rantelon reserves the right to change the specification without notice.