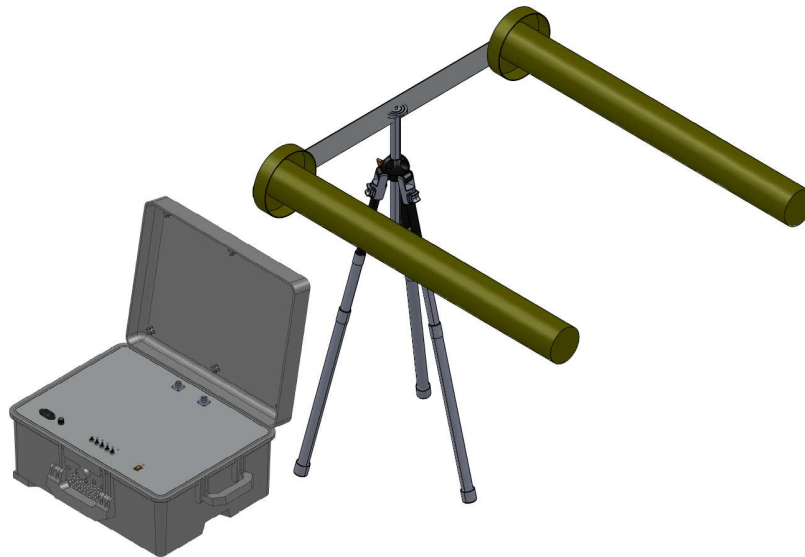


**GGJ-100-2-01 is portable high power jammer intended for GPS and GLONASS frequency ranges. Both systems can be jammed simultaneously with total RF power 200W. Using digital control jammed bandwidth can be adjusted to more narrow frequency region to achieve better jamming efficiency.**



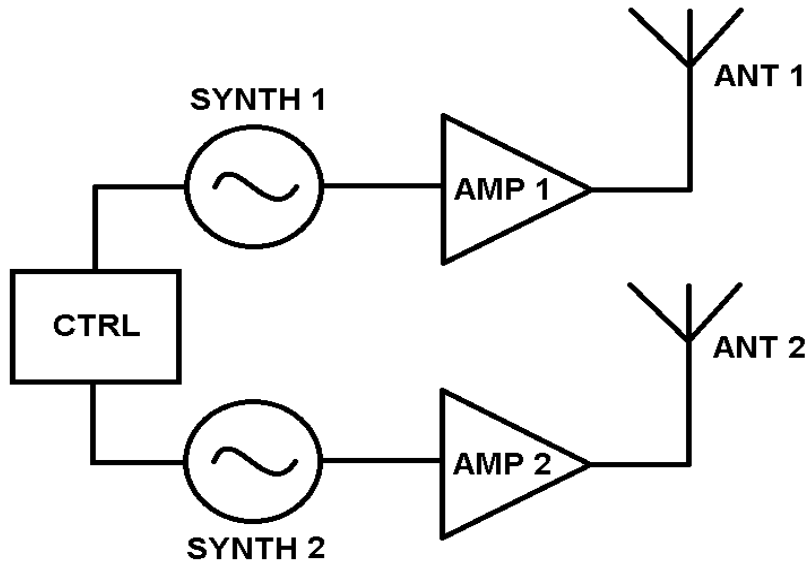
### TECHNICAL SPECIFICATIONS \*

Parameter	Specification
Type	Two channel portable high power jammer, Both channels can be used simultaneously
Frequency ranges:	L2 ( <i>can be adjusted using digital control</i> ) L1 ( <i>can be adjusted using digital control</i> )
Output RF power:	channel 1: 100W channel 2: 100W
Antenna types	Two helix antennas, one for each channel; antennas are mounted on tripod
Antenna gain	18dBi
Total power consumption	600W
Powering type	AC 220V
RF connectors and impedance	N-female 50Ω ( <i>All necessary coaxial cables are included into final set</i> )
Cooling type	Active using built-in fans
Enclosure type	Outdoor plastic case
Case dimensions	560x455x265mm
Antenna dimensions (2x set)	1004x1000x1140mm
Colour	Black

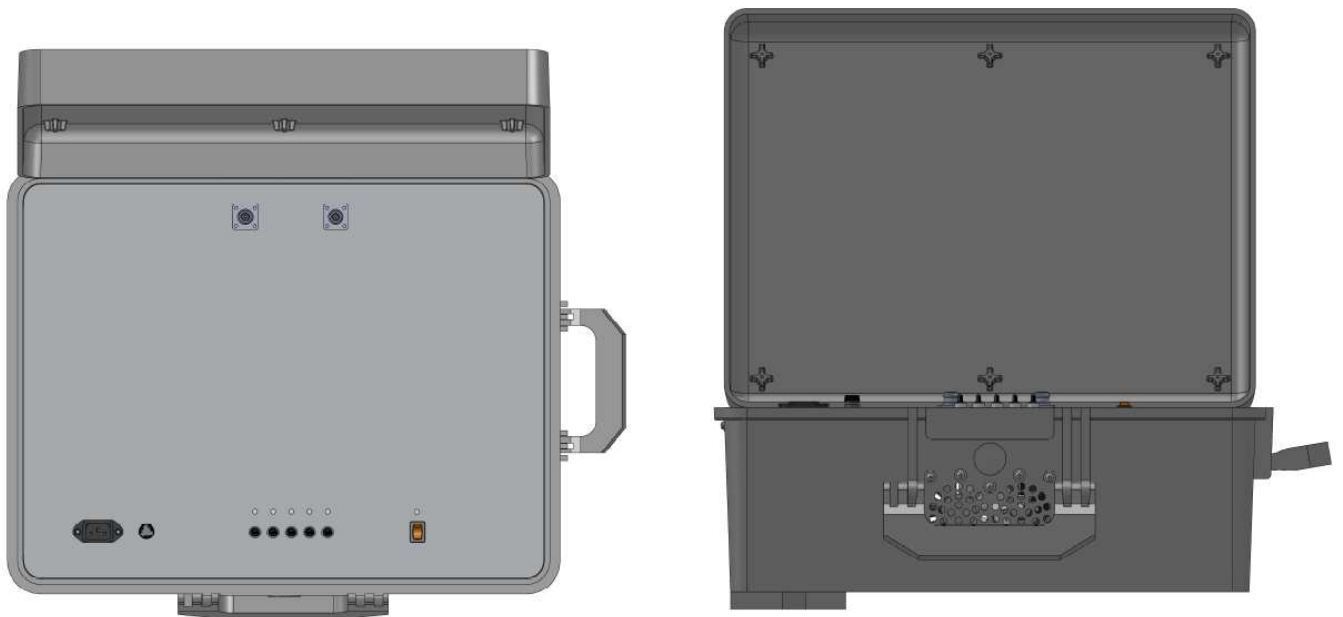
**\* Preliminary specification. Current product is available as prototype only.  
Ask Rantelon for details or other parameters.**

*Rantelon reserves the right to change the specification without notice.*

**GGJ-100-2-01 BLOCK DIAGRAM**

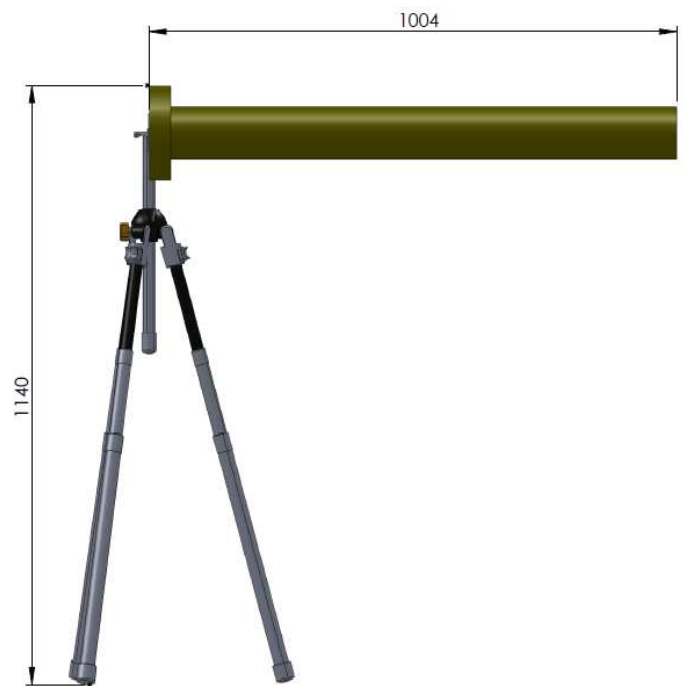


**GGJ-100-2-01 JAMMER CASE**



*Rantelon reserves the right to change the specification without notice.*

**GGJ-100-2-01 JAMMER ANTENNAS**



*Rantelon reserves the right to change the specification without notice.*