

Preliminary Product Information: Rev 1A, Issue Oct 2016

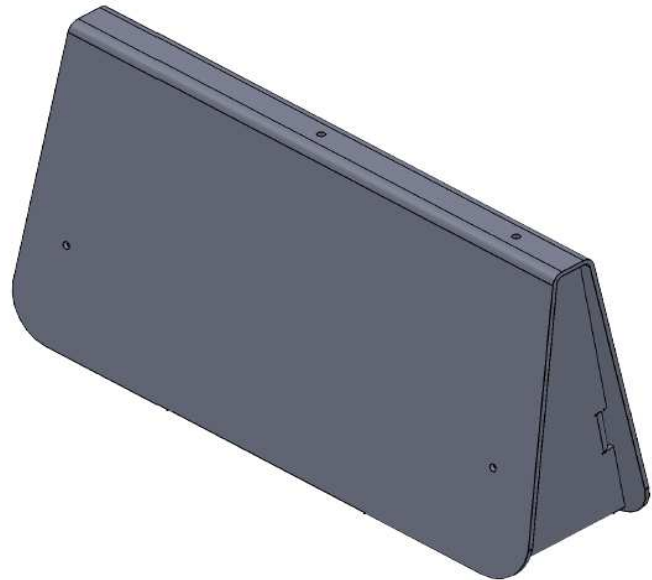
**TAKSO-360 is indoor type compact wideband omni-directional antenna.**

## KEY FEATURES

- Very wideband 380-6000MHz
- High power rated
- Nice look and compact
- Simple install
- Commonly used 50Ω impedance

## APPLICATION AREAS

- LTE, UMTS, EGSM
- WLAN/WiFi
- TETRA
- LoRa, IoT
- GPS, GLONASS



## TECHNICAL SPECIFICATIONS

Parameter	Specification								
Type	Indoor omni-directional antenna								
Frequency range	380-6000MHz								
Gain:	<table border="0"> <tr> <td>@400MHz</td> <td>3.0dBi</td> </tr> <tr> <td>@1000MHz</td> <td>4.5dBi</td> </tr> <tr> <td>@2600MHz</td> <td>6dBi</td> </tr> <tr> <td>@5500MHz</td> <td>8dBi</td> </tr> </table>	@400MHz	3.0dBi	@1000MHz	4.5dBi	@2600MHz	6dBi	@5500MHz	8dBi
@400MHz	3.0dBi								
@1000MHz	4.5dBi								
@2600MHz	6dBi								
@5500MHz	8dBi								
VSWR	2.0:1 typical								
Polarization	vertical (if connector side looks up)								
Maximum input power	10W								
PIM level	-140dBc (3rd order at 2x30dBm)								
Input and Impedance	one input x 50Ω (see ordering information below)								
Enclosure type, dimensions	indoor, 260x142x67mm								
Color	White								

\* For use under 700MHz place under antenna 0.5x0.5m conductive sheet.

## ORDERING INFORMATION \*

Model	Description
TAKSO-360-50N	RF connector N-female, without cable
TAKSO-360-XX-XX	Other TAKSO-360 options are available on special order

\* Ask Rantelon for other parameters.

Rantelon reserves the right to change the specification without notice.