

Product information: Vers 1A, issue Jul 2015

RTG-01P is CW type wideband signal generator intended for cable network technicians. RTG-generator provides for extremely wide frequency range 35-4400MHz in one small compact box.

GENERAL DESCRIPTION

Portable signal generator RTG-01P is intended for measurement applications in cable networks. RTG-01P is equipped with two 31.5dB digital attenuators, built-in mixer and low frequency generator. Sweep function is available. Control of all functions implemented in easy user interface based on LCD and three push buttons.



KEY FEATURES

- Wideband
- High level output
- Compact and hand-held
- Built in mixer and low frequency generator
- Large LCD with switched back-light
- Replaceable batteries

APPLICATION AREAS

- VHF/UHF
- FM-radio
- CATV-networks
- GPS
- LTE/UMTS/EGSM
- WLAN/WMAX
- TETRA

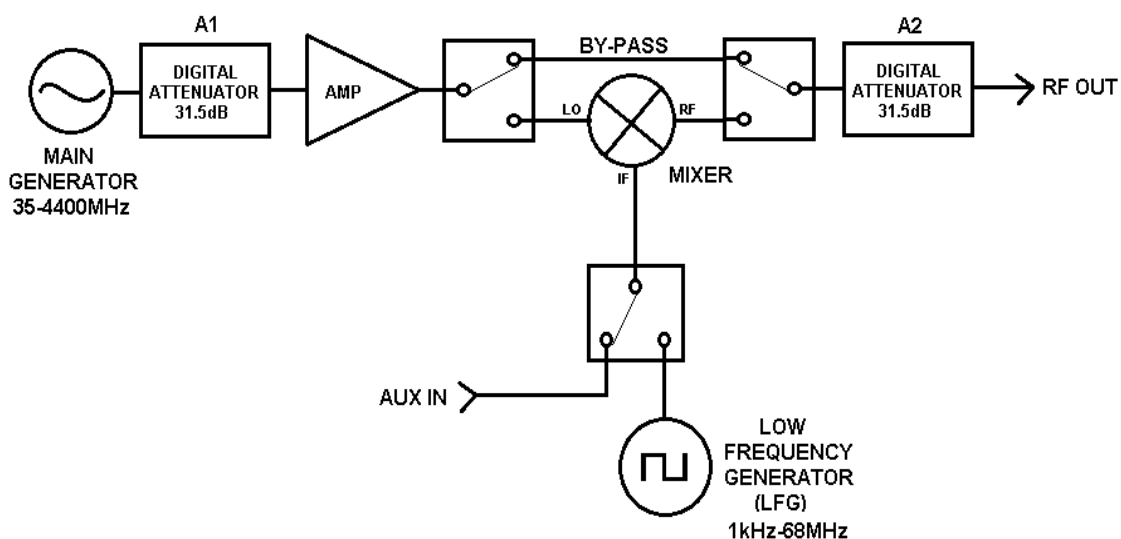
RF SPECIFICATIONS

Parameter	Specification	Unit
Main frequency range (RF OUT)	35-4400	MHz
Type of main generator	sinus, CW	-
Maximum output power in main range	9.0 @ 35MHz 8.0 @ 500MHz 7.4 @ 1000MHz 7.3 @ 2000MHz 9.3 @ 3000MHz 2.6 @ 4400MHz	dBm
Main generator flatness	±1 @ 35-3000MHz ±3 @ 35-4400MHz	dB
Output/Input RF impedance	50	Ohm
Mixer IF input frequency range (AUX IN)	DC-1000	MHz

Parameter	Specification	Unit
Mixer LO input frequency range	1-6000	MHz
Mixer RF output frequency range	1-6000	MHz
Mixer conversion loss	12	dB
Low frequency generator type	meander	-
Low frequency generator range	1-68000	kHz
Digital attenuator A1 range	31.5	dB
Digital attenuator A2 range	31.5	dB
Digital attenuator step (A1 or A2)	0.5	dB
Sweep function range	35-4400	MHz
Sweep function step/duration	1/10	MHz/ms

MECHANICAL SPECIFICATIONS

Parameter	Specification	Unit
Batteries	2xAA	-
Current consumption without LCD backlight	310	mA
Current consumption with LCD backlight	340	mA
RF connectors	N-female	-
Dimensions	70x155x25	mm



Rantelon reserves the right to change the document without notice.