

Product Information: Rev 1A, Issue Sep 2013, Revised Sep 2013

PA0827V-V is outdoor/indoor type directional panel antenna. PA0827V-V has vertical polarization in both frequency ranges 790-960MHz and 1700-2700MHz.

KEY FEATURES

- Very wideband
- High gain
- Compact and reliable
- Outdoor type enclosure
- Commonly used 50Ω impedance
- Mast or wall mounting



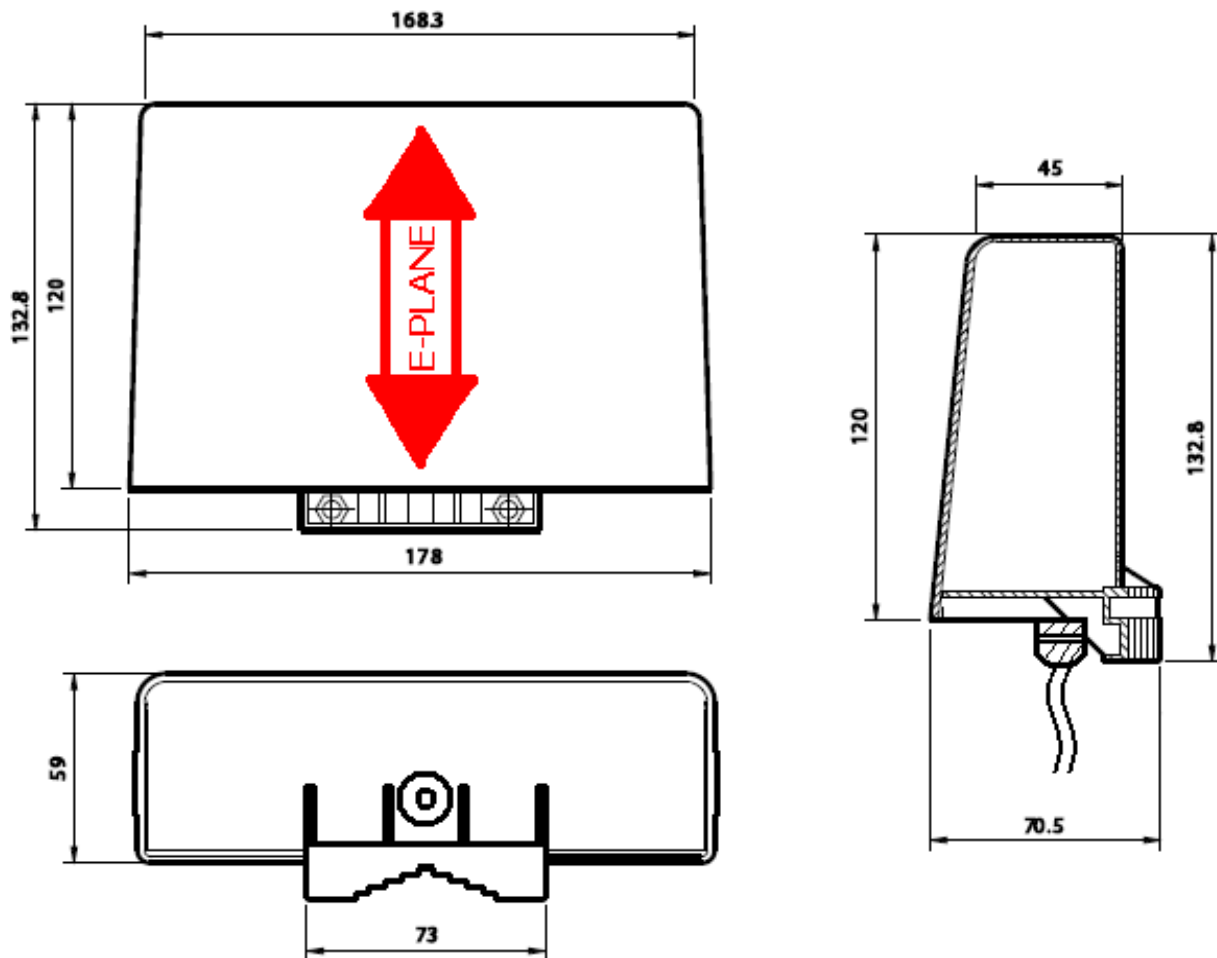
APPLICATION AREAS

- LTE800, LTE1800 and LTE2700
- EGSM900
- UMTS2100
- DCS1800
- WLAN2400



TECHNICAL SPECIFICATIONS

| Parameter | Specification |
|---------------------------|--|
| Type | Outdoor directional panel antenna with built-in frequency combiner |
| Frequency range | 790-960MHz ja 1700-2700 MHz |
| Gain: | @900MHz 6.5dBi @2100MHz 6.5dBi |
| Beam width (3dB, H-plane) | 90°/70° |
| VSWR: | @900MHz 2.0:1 typical @2100MHz 1.7:1 typical |
| Polarization: | @900MHz vertical @2100MHz vertical (See figure below) |
| Impedance | 50Ω (See ordering information below) |
| Enclosure type | Outdoor, wall or mast mounting (mast mounting clamps included; mast pipe diameter: max 50mm) |
| Dimensions | See figure below |
| Color/Weight | Grey/370g min. (depends on length of cables) |



ORDERING INFORMATION *

| Model | Description |
|--------------------|--|
| PA0827V-V-50N | Antenna with length of cables 0.5m and RF connectors 50Ω N-type female |
| PA0827V-V-50FME-7m | Antenna with length of cables 7.0m and RF connectors 50Ω FME female |
| PA0827V-V-50SMA | Antenna with length of cables 0.5m and RF connectors 50Ω SMA male |
| PA0827V-V-50SMA-5m | Antenna with length of cables 5.0m and RF connectors 50Ω SMA male |
| PA0827V-V-XX-XX | <i>Other PA0827V-V options are available on special order</i> |

* Ask Rantelon for other parameters.

Rantelon reserves the right to change the specification without notice.