

Product Information: Rev 1A, Issue Jan 2014, Revised Jan 2014

**MONA-0727 is outdoor type directional panel antenna. MONA-0727 has -45°/+45° polarization in both frequency ranges 698-960MHz and 1700-2700MHz.**

## KEY FEATURES

- All "G" operation (2G,3G,4G)
- Reliable outdoor type enclosure
- Light and compact
- Very wideband
- Nice look
- MIMO support
- Commonly used 50Ω impedance
- Mast or wall mounting

## APPLICATION AREAS

- LTE800, LTE1800 and LTE2600
- UMTS2100
- EGSM900
- DCS1800
- WLAN2400

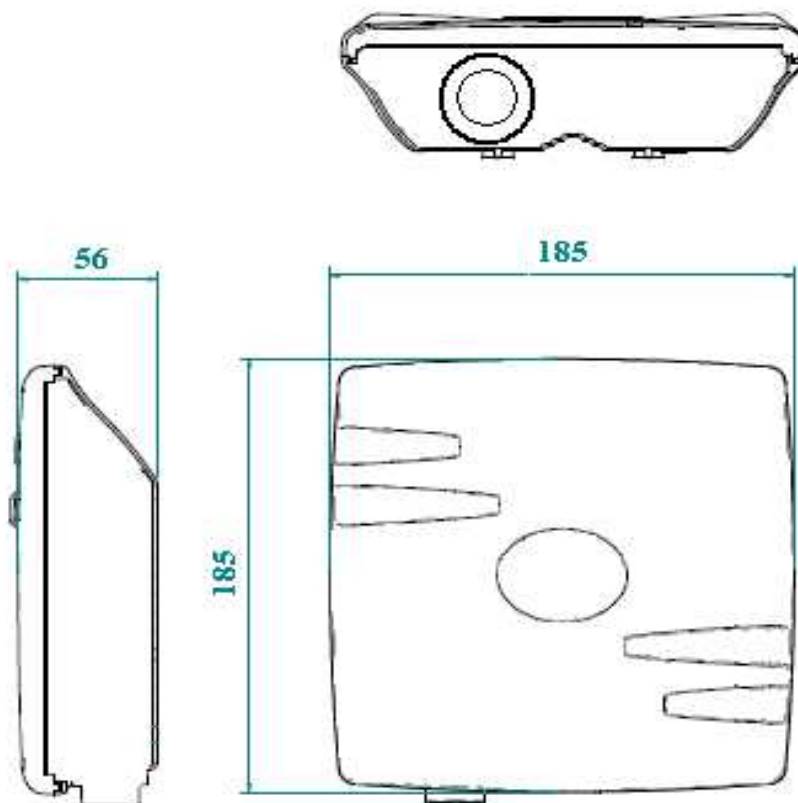


## TECHNICAL SPECIFICATIONS

Parameter	Specification
Type	Outdoor directional panel antenna
Frequency range	698-960MHz and 1700-2700 MHz
Gain:	@900MHz                      2 antennas x 3dBi @1800MHz                     2 antennas x 5dBi @2600MHz                     2 antennas x 4dBi
Beam width @3dB:	@900MHz                      150°/120° @1800MHz                     120°/100° @2600MHz                     100°/100°
VSWR	2.0:1 typical
Polarization	-45°/+45°
Element isolation	15dB typical
Element correlation	<0.2
Input and Impedance	2 inputs x 50Ω (See ordering information below)
Enclosure type	Outdoor; wall or mast mounting ; mast pipe diameter: max 50mm
Dimensions	See figure below
Color/Weight	Light grey/400g min. (depends on length of cables)

**NB! Mounting instruction: cable side looks down.**

*All dimensions are in [mm].*



## ORDERING INFORMATION \*

Model	Description
MONA-0727-50N	Antenna with length of cables 0.5m and RF connectors 50Ω N-type female
MONA-0727-50FME-7m	Antenna with length of cables 7.0m and RF connectors 50Ω FME female
MONA-0727-50SMA	Antenna with length of cables 0.5m and RF connectors 50Ω SMA male
MONA-0727-50SMA-5m	Antenna with length of cables 5.0m and RF connectors 50Ω SMA male
MONA-0727-XX-XX	<i>Other MONA-0727 options are available on special order</i>

\* Ask Rantelon for other parameters.

Rantelon reserves the right to change the specification without notice.