

Product Information: Rev 1B, Issue Aug 2015, Revised Feb 2016

**NIINA-0727H is outdoor type directional panel antenna. NIINA-0727H has vertical polarization in frequency ranges 790-960MHz and 1700-2700MHz.**

### KEY FEATURES

- High gain 9dBi
- All "G" operation (2G,3G,4G)
- Very wideband
- LTE support
- Nice look
- Reliable outdoor type enclosure
- Commonly used 50Ω impedance
- Mast or wall mounting

### APPLICATION AREAS

- LTE800, LTE1800 and LTE2600
- UMTS2100
- EGSM900
- DCS1800
- WLAN2400

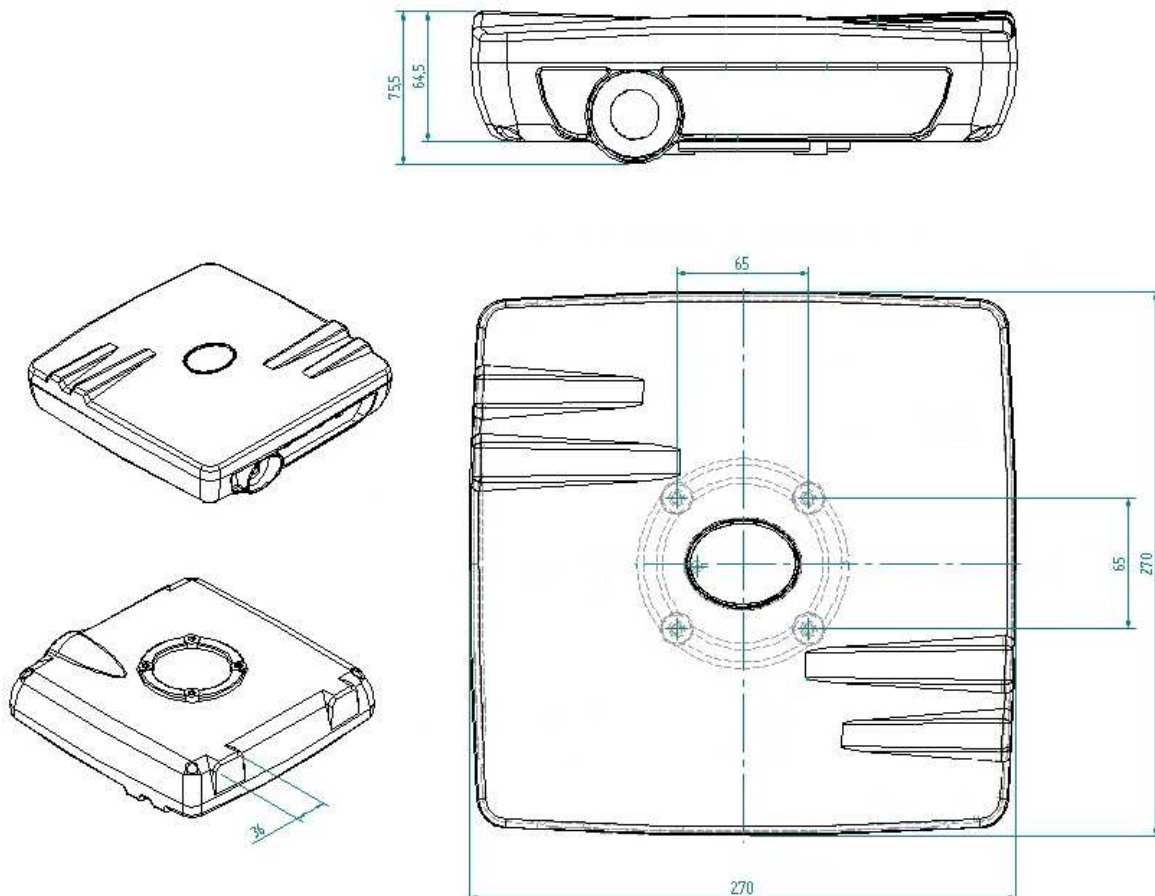


### TECHNICAL SPECIFICATIONS

Parameter	Specification
Type	Outdoor directional panel antenna <b>with built-in frequency combiner</b>
Frequency range	790-960MHz and 1700-2700 MHz (also usable in range 690-790MHz)
Gain:	@900MHz 8.0dBi @1800MHz 8.5dBi @2600MHz 9.0dBi
Beam width @3dB:	@900MHz 50°/90° @1800MHz 50°/80° @2600MHz 45°/80°
VSWR	2.0:1 typical
Polarization	vertical (if cable side looks down)
Front-to-back ratio	15dB
Maximum input power	>10W
Input and Impedance	one input x 50Ω (See ordering information below)
Enclosure type	Outdoor; wall or vertical/horizontal mast mounting; mast pipe diameter: max 50mm
Vertical tilt adjustment	±60° (not fixed step <1° or with fixed step 20°)
Dimensions	See figure below
Color/Weight	Light grey/1.2kg min. (depends on length of cables)

**NB! Mounting instruction: cable side looks down.**

All dimensions are in [mm].



## ORDERING INFORMATION \*

Model	Description
NIINA-0727H-50SMAM-10m	Black coaxial cable CNT-240 with length 10m and RF connectors SMA-male
NIINA-0727H-XX-XX	<i>Other NIINA-0727 options are available on special order</i>

\* Ask Rantelon for other parameters.

Rantelon reserves the right to change the specification without notice.