

Product Information: Rev 1A, Issue July 2015

ANNA-1320 is outdoor type directional panel antenna. ANNA-1320 has vertical polarization in whole frequency ranges 1300-2000MHz.

KEY FEATURES

- Wide frequency range
- Reliable outdoor type enclosure
- Light and compact
- High power
- Nice look
- Commonly used 50Ω impedance
- Mast or wall mounting

APPLICATION AREAS

- GPS
- GLONASS
- DCS1800



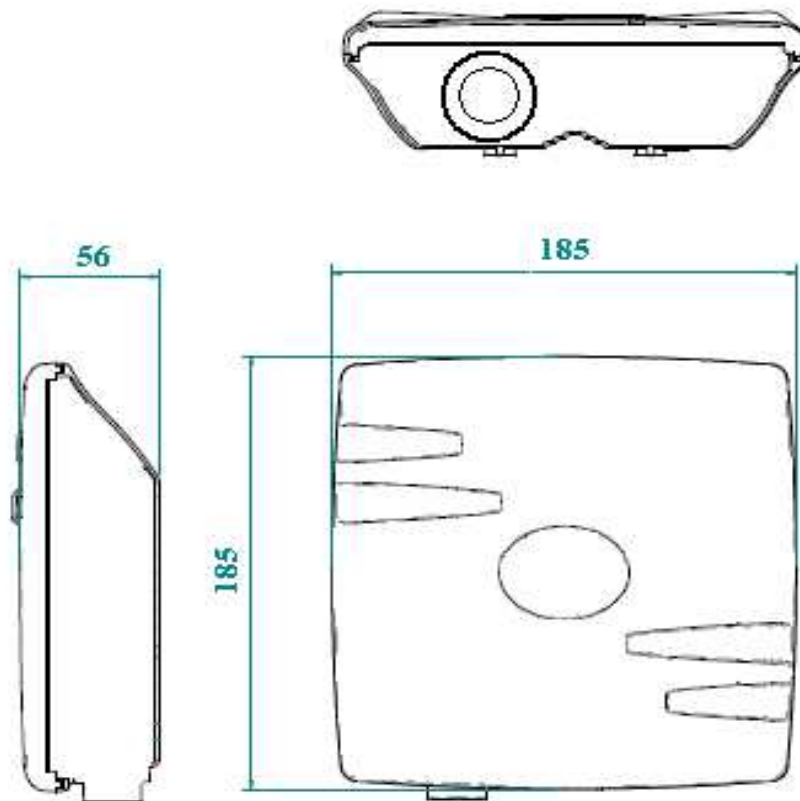
TECHNICAL SPECIFICATIONS*

Parameter	Specification
Type	Outdoor directional panel antenna
Frequency range	1300-2000 MHz
Gain:	8dBi
Beam width @3dB:	60°/90°
VSWR	2.0:1 typical
Polarization	vertical
Input and Impedance	N or SMA, 50Ω, (Cable length on order)
Enclosure type	Outdoor; wall or mast mounting ; mast pipe diameter: max 50mm
Dimensions	See figure below
Color/Weight	Light grey/300g min.

* Ask Rantelon for other parameters.

NB! Mounting instruction: cable side looks down.

All dimensions are in [mm].



Rantelon reserves the right to change the specification without notice.