

Product Information: Rev 3, June 2013

LNA0130-30-18 is designed as compact wideband low noise amplifier. LNA0130-30-18 has wide frequency range from 100MHz up to 3GHz.

FEATURES

- Wide frequency range
- Low noise
- High gain
- Flat gain response
- Compact size

APPLICATIONS

- Multiple receiver systems
- Monitoring solutions
- Test and measurement Systems



Figure 1. LNA0130-30-18

RF SPECIFICATIONS

Parameter	Min	Typ	Max	Unit
Frequency range	100		3000	MHz
Input/output impedance		50		Ohm
Gain	29	30	31	dB
Gain ripple, max.	± 1dB			dB
Output 1 dB compression point	+16	+18		dBm
Input / Output VSWR, 100-200MHz	< 1,35:1 / <1,5:1			
Input / Output VSWR, 2000-3000MHz	< 2,20:1 / <1,5:1			
Noise figure, 100-3000MHz	< 2.5			dB
Output IP3		+32		dBm

POWER REQUIREMENTS

Parameter	Min	Nominal	Max	Unit
Supply voltage		15		V
Supply current		140		mA

ABSOLUTE MAXIMUM RATINGS

Parameter	Min	Typ	Max	Unit
RF input power (no damage)			0	dBm
Supply voltage	+11.5		+18V	V
Operating temperature	0		50	°C

MECHANICAL SPECIFICATIONS

Parameter	Value	Unit
Input/output connectors	SMA-female/SMA-female	
Power supply connectors	Soldering pins	
Enclosure types	Indoor, aluminium	
Physical dimensions w/o connectors (WxLxH)	40x50x12 *	mm

* See figure 7 for details

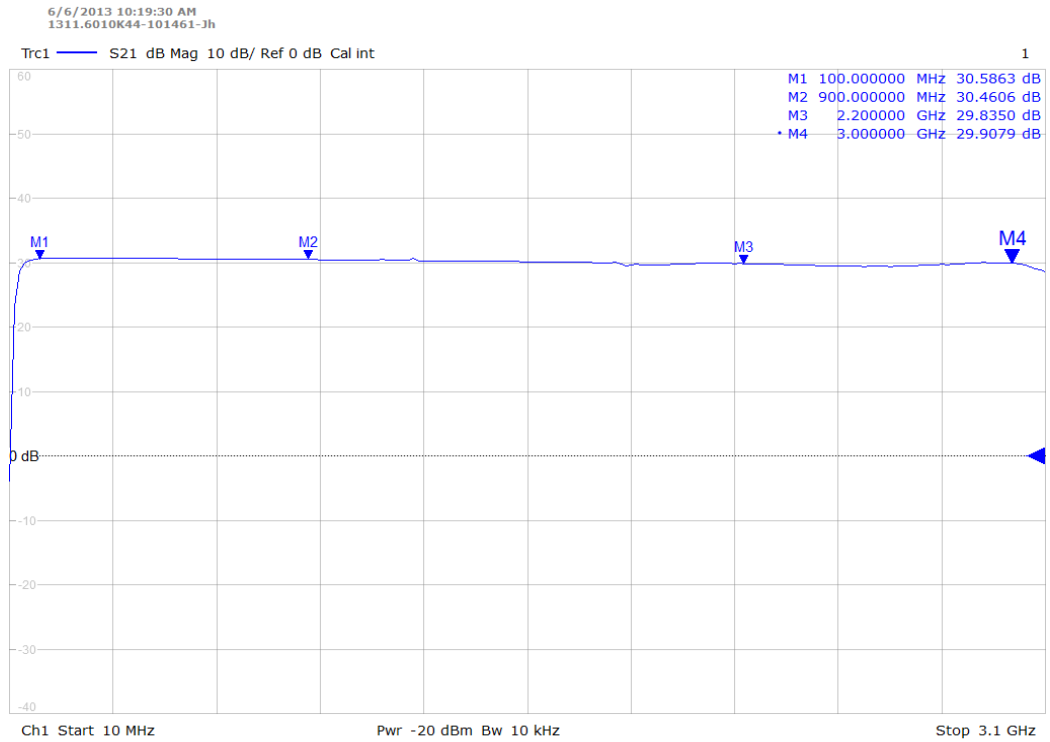


Figure 2. Typical gain response

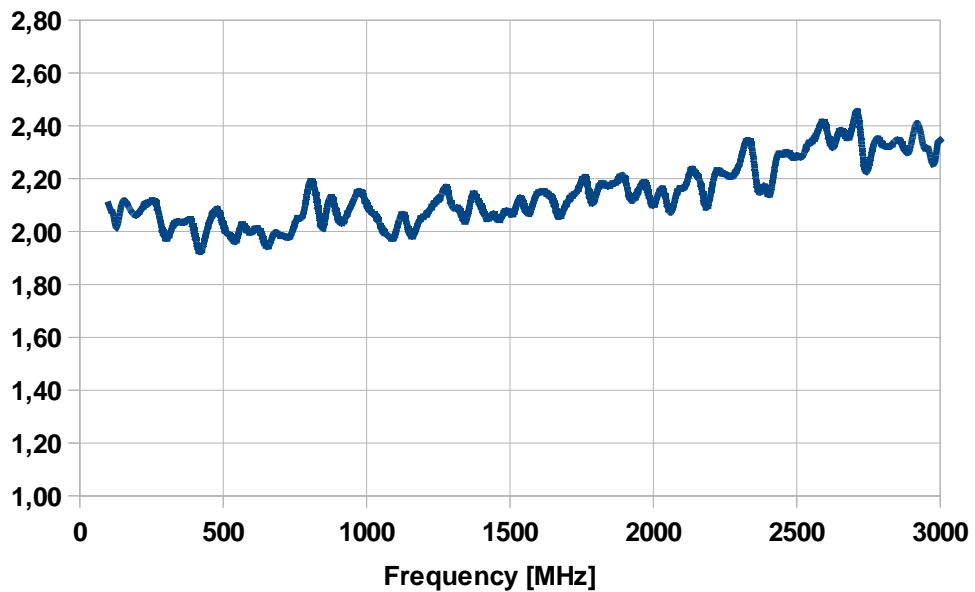


Figure 3. Typical noise figure response [dB]

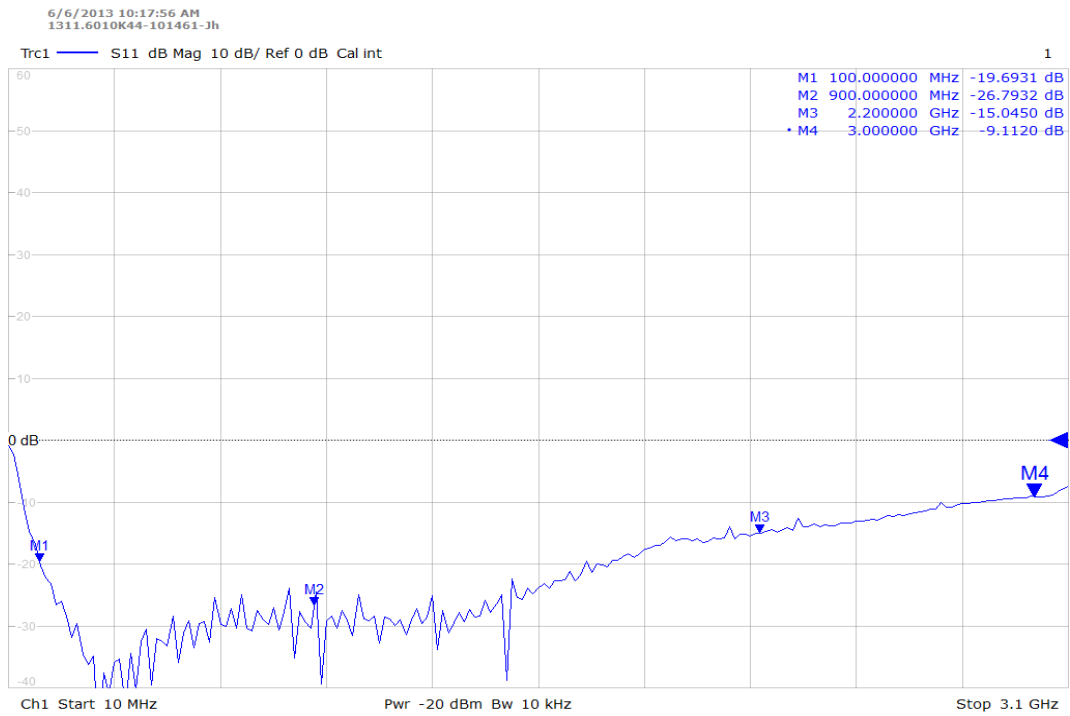


Figure 4. Typical input return loss respond

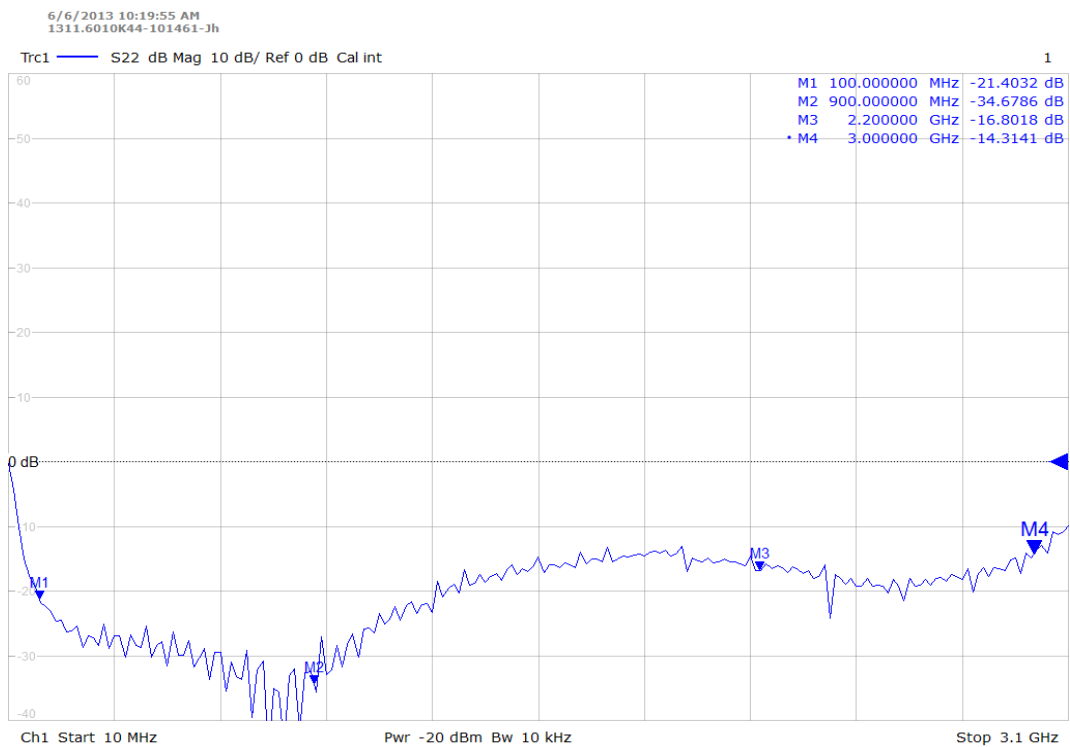


Figure 5. Typical output return loss respond

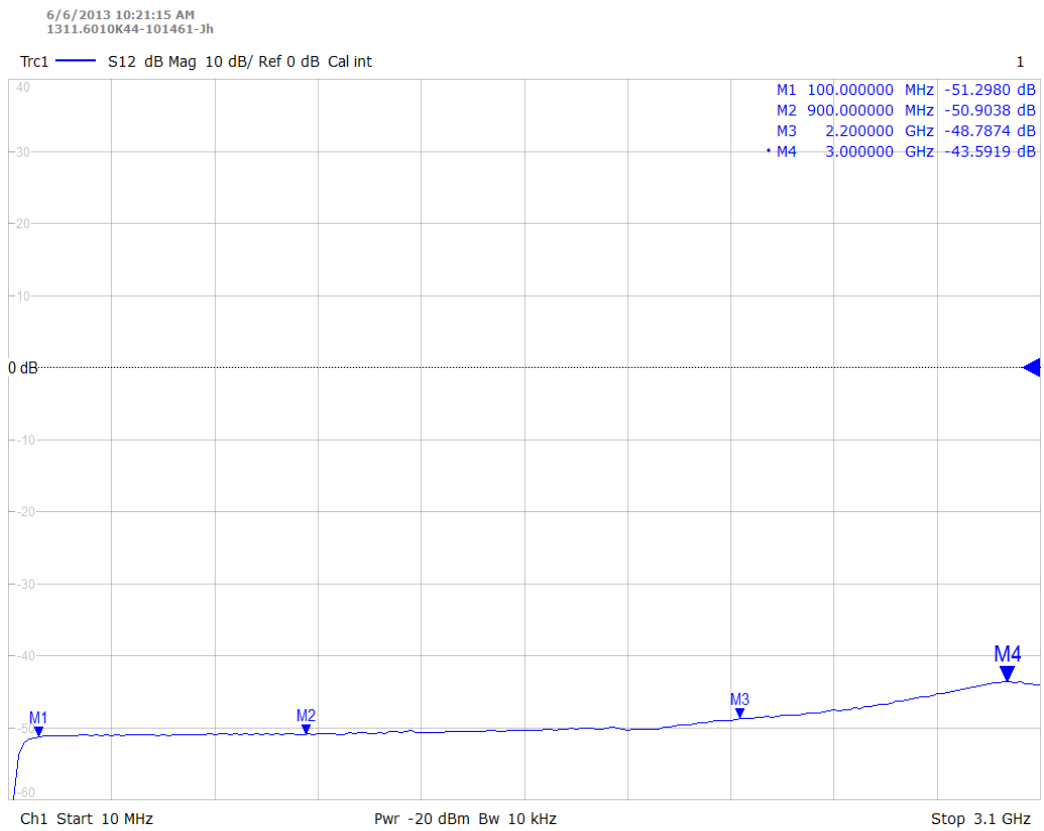


Figure 6. Typical reverse isolation response

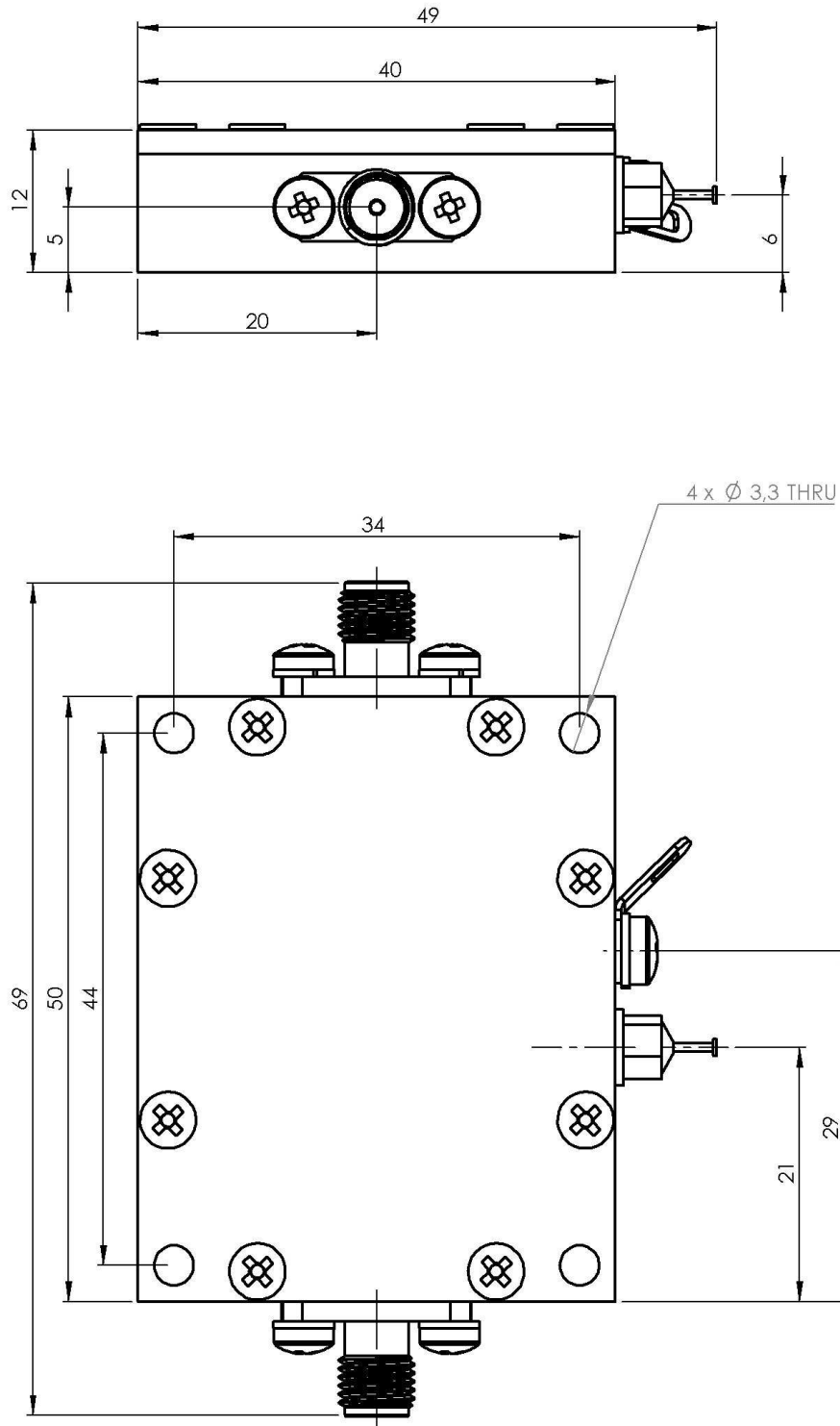


Figure 7. Case dimensions